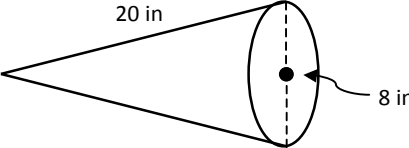
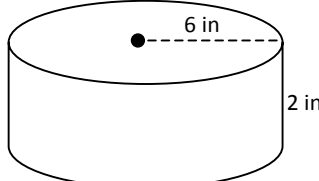
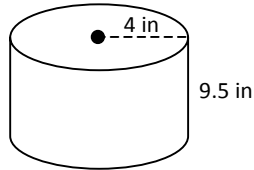
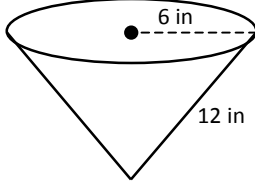
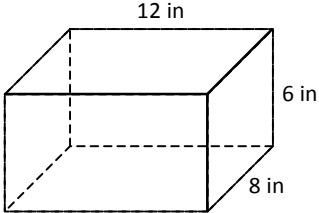
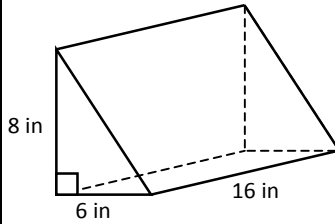
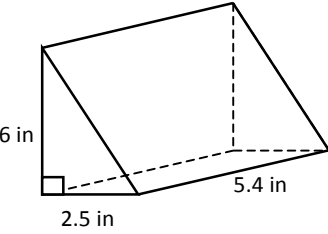
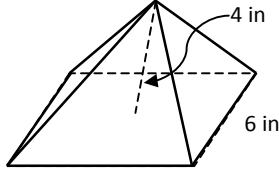
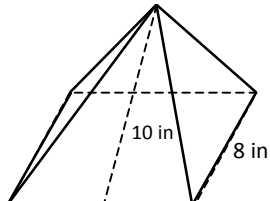


Name: \_\_\_\_\_ Period: \_\_\_\_\_ Date: \_\_\_\_\_

### Surface Area Round-up

Each person in a pair is to complete one column of problems, finding the surface area for each figure. When finished, problems in the same row will have the same answer. If this doesn't happen, try to figure out where the errors are.

A	B
<p>1. SA = _____</p> 	<p>2. SA = _____</p> 
<p>3. SA = _____</p> 	<p>4. SA = _____</p> 
<p>5. SA = _____</p> 	<p>6. SA = _____</p> 
<p>7. SA = _____</p> 	<p>8. SA = _____</p> 
<p>9. SA = _____</p> 	<p>10. SA = _____</p> 